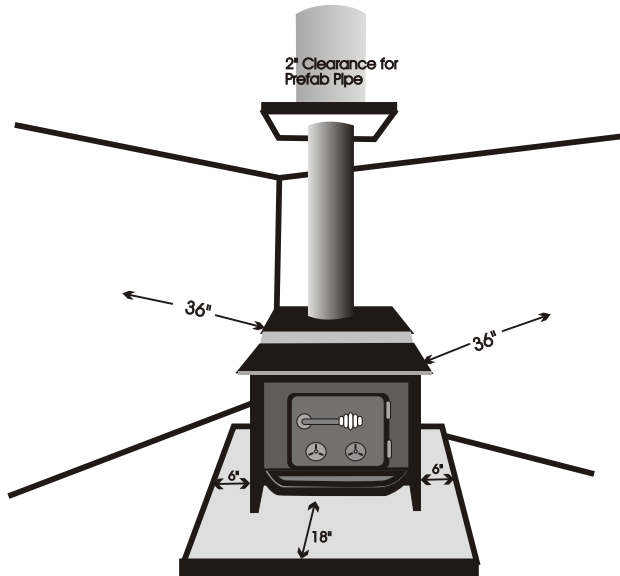


WOOD STOVE INSTALLATION GUIDELINES



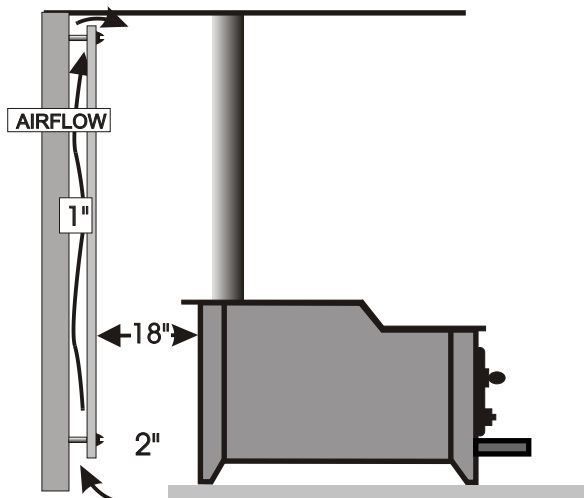
All components, including the stove, piping, accessories, mats, protection, pre-fab components, and other functioning parts, must be labeled as UL® listed for solid fuel installation, and recommendations by manufacturers and UL® must be followed.

These requirements are based on the International Fire Code NC Edition and NFPA 211. Black Mountain Fire Department may only inspect and recommend changes and improvements at the request of the owner of a residence. The fire official has no code enforcement authority or responsibility for a private residence or dwelling.

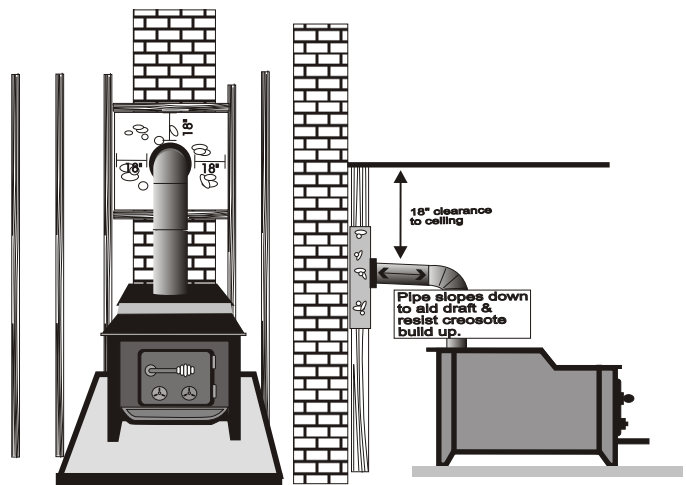
A freestanding woodstove requires 36" of clearance from the stove and stove pipe to combustibles on all sides. Also required is floor protection that extends 6" on the non loading sides and 18" on the loading side of the stove.

A prefab chimney or other insulated components usually require 2" clearance to combustibles, however manufacturers recommendations may differ.

All dwellings, with or without a wood stove should have smoke detectors and at least one fire extinguisher for every separate area of the dwelling. For specific information on the number and placement of smoke detectors and fire extinguishers, contact the Fire Prevention Officer at 669-8074 or 669-8500 M-F 8-5. Other information is available at www.bmfire.org



Stove & pipe may be placed within 18" of a wall or combustibles if protected. Protection consists of a panel of non-combustible material spaced 1" from the wall & 2" above the floor. The spacing allows a flow of cool air to reduce the heating of the wall or combustibles.



Where the stove pipe enters a thimble, the thimble must be surrounded by at least 18 inches of solid masonry. The pipe must also be at least 18" from the ceiling.

Horizontal pipe must slope down toward the stove and must not be more than 6 feet in length. Use of a prefab thimble reduces the clearance to 2 inches from combustibles.